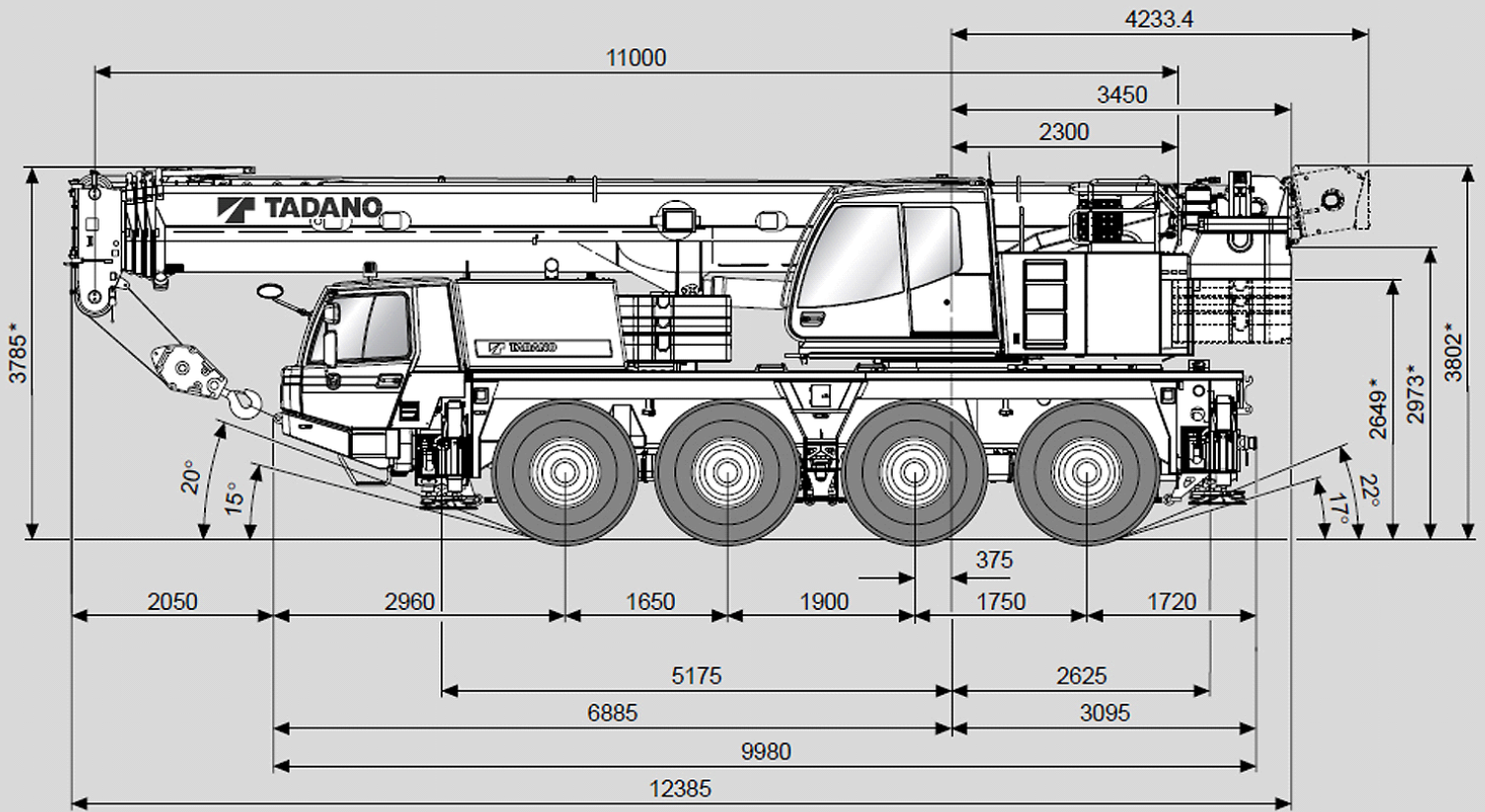
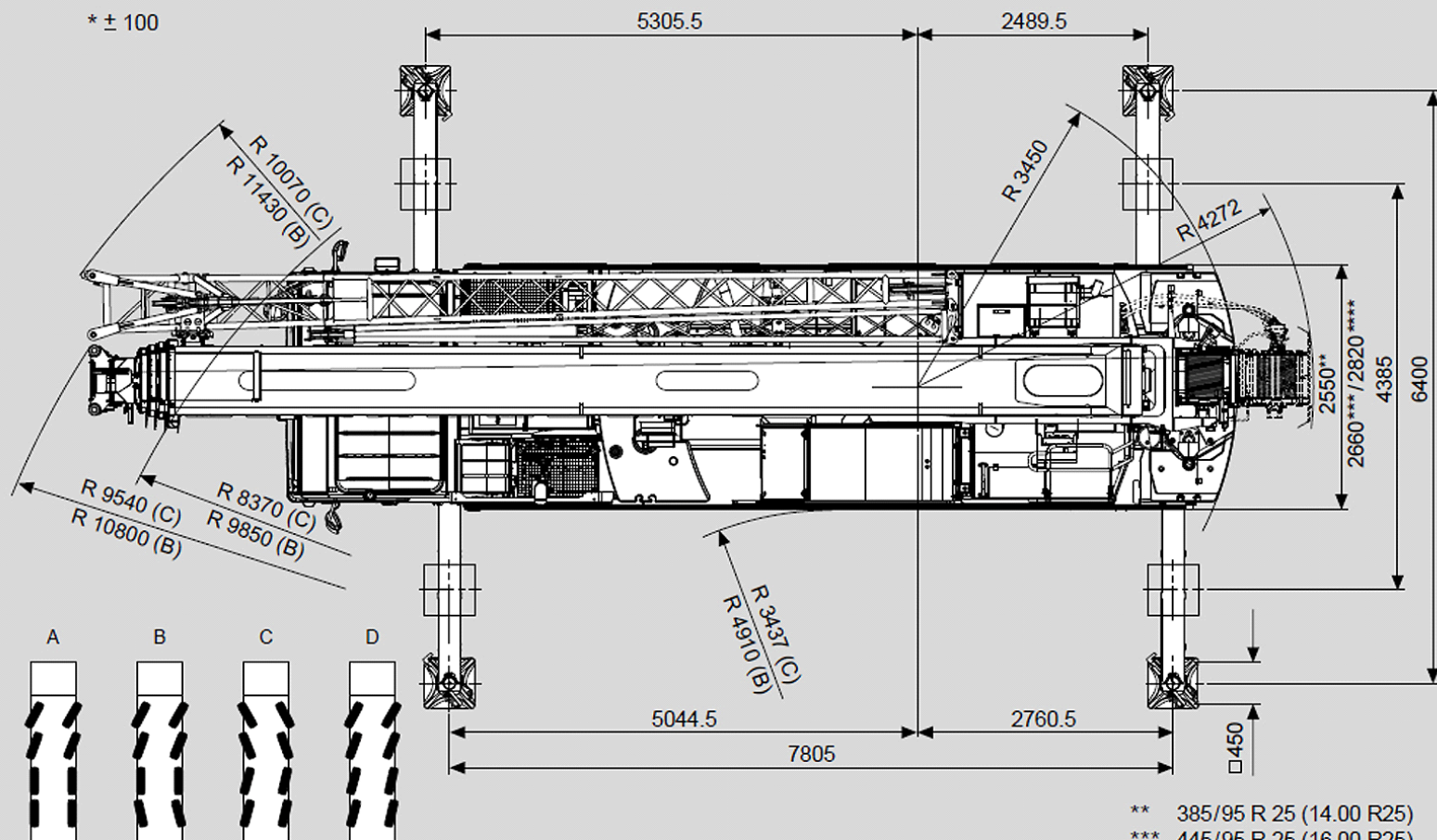




INTERKRAN



* ± 100



** 385/95 R 25 (14.00 R25)

*** 445/95 R 25 (16.00 R25)

**** 525/80 R 25 (20.5 R25)

v > 25 km/h v < 25 km/h