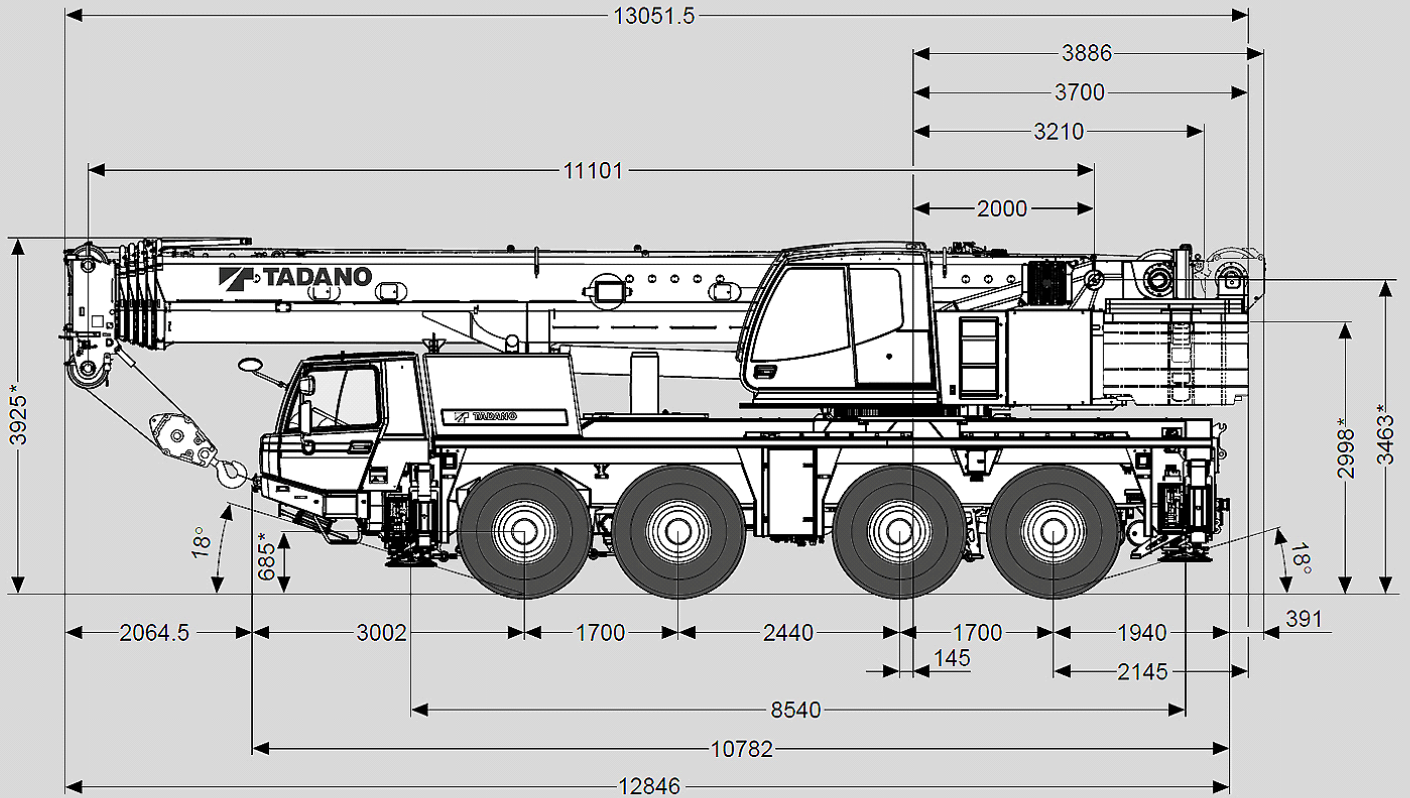
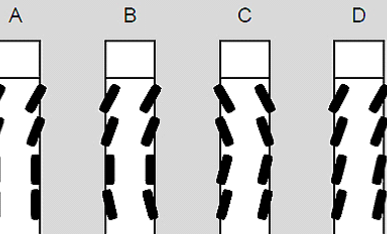
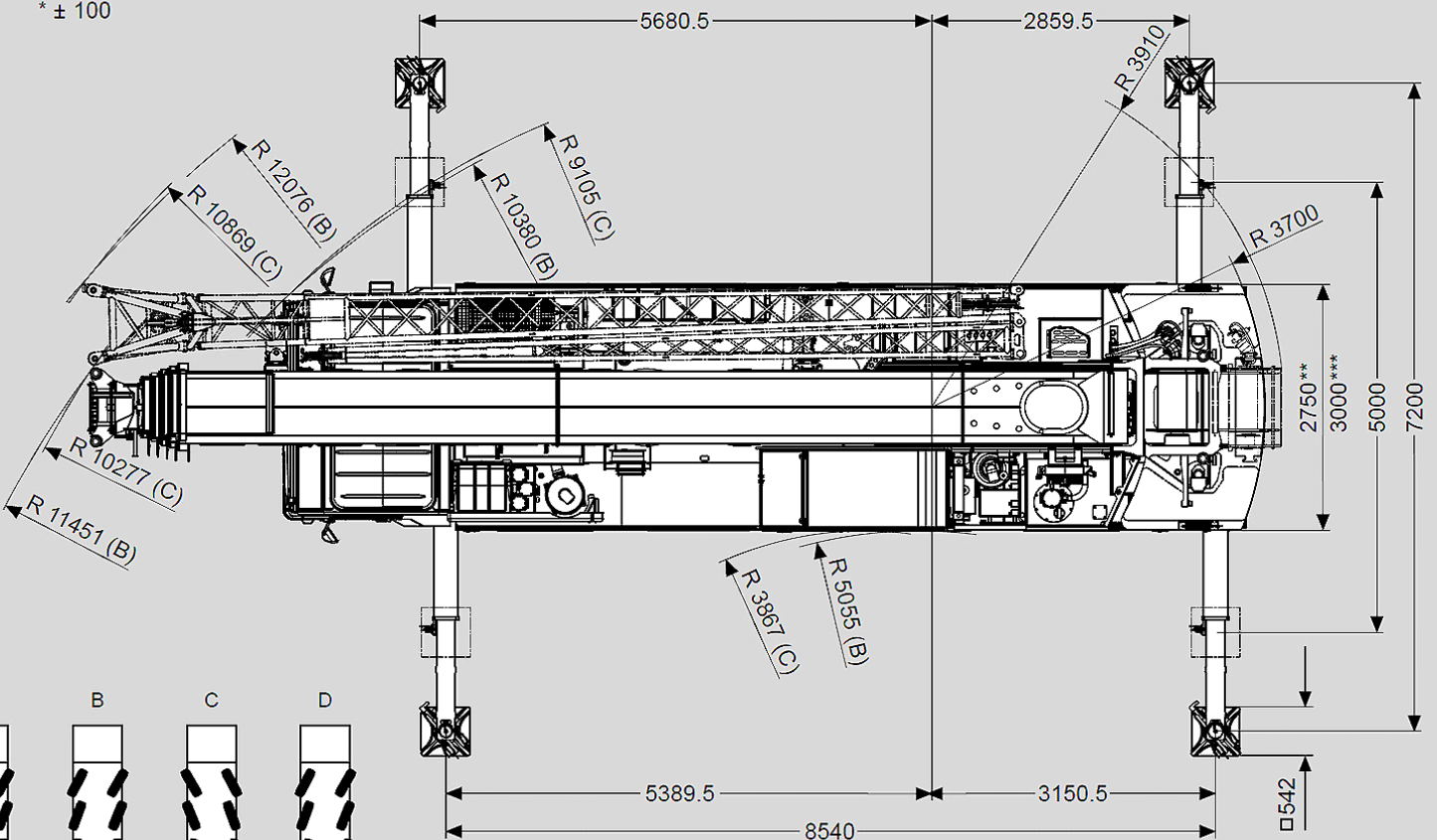




# INTERKRAN



\* ± 100



v > 25 km/h v < 25 km/h

\*\* 385/95 R 25 (14.00 R25), 445/95 R 25 (16.00 R25)

\*\*\* 525/80 R 25 (20.5 R25)